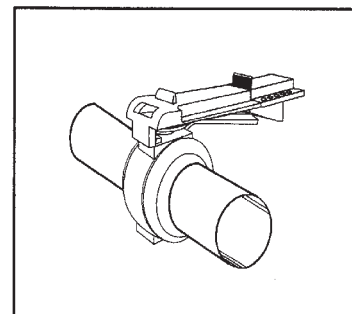
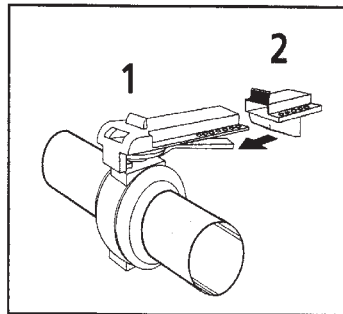
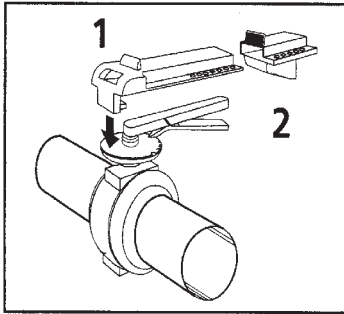


CIRLOCK

LOCKOUT / TAGOUT EQUIPMENT

Butterfly Valve Lockout - BFL-1



Assembly Instructions:

PARTS:

1. Valve Handle Cover
2. Multiple Lockout Sliding Piece

INSTALLATION:

Cover valve handle with part 1

Slide part 2 over part 1.

Align holes and install your lock.

ENSURE THAT DEVICE CANNOT BE REMOVED AND THAT ACCESS TO THE HANDLE IS BLOCKED EFFICIENTLY SO VALVE HANDLE CANNOT BE TURNED. IF THE DEVICE CANNOT SECURELY BLOCK ACCESS TO VALVE HANDLE - IT MUST NOT BE USED.

DISCLAIMER: Appropriate use of these devices are the sole responsibility of the user, in relation to health and safety regulations. Before using, user shall determine the suitability of the products for his intended use and user assumes all risk and liability whatsoever in connection therewith. Cirlock Pty Ltd is not responsible for any loss or damage arising from the use of these products, which is beyond Cirlock Pty Ltd control, and liability is restricted to the replacement of material proven faulty.